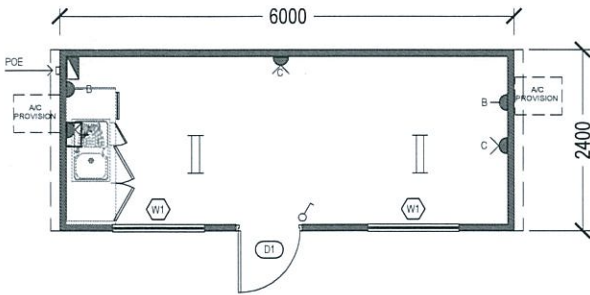


# MBS Modular Building Systems

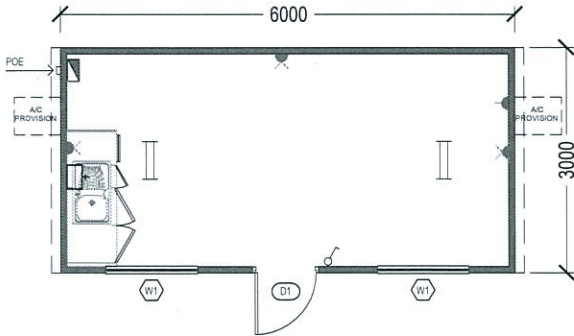
146 Gilba Rd, Girraween NSW 2145  
 Ph: (02) 9636 4445 Fax: (02) 9636 4454

LEGEND	
MK	ITEM DESCRIPTION
	CIRCUIT BREAKER BOARD (POA)
	LIGHT SWITCH
	CEILING FAN SWITCH
	TWO WAY LIGHT SWITCH
	SINGLE GPO
	DOUBLE GPO
	AC ISOLATOR
	EXHAUST FAN
	FLOOR WASTE
	EMERGENCY EXIT
	EXTERNAL LIGHT
	CEILING FAN
	DATA POINT
	EMERGENCY LIGHT
	WATERPROOF EMERGENCY LIGHT
	OYSTER LIGHT
	2 x 36W FLUORESCENT LIGHT - DIFF
	2 x 36W WIPROOF EXTERNAL LIGHTS

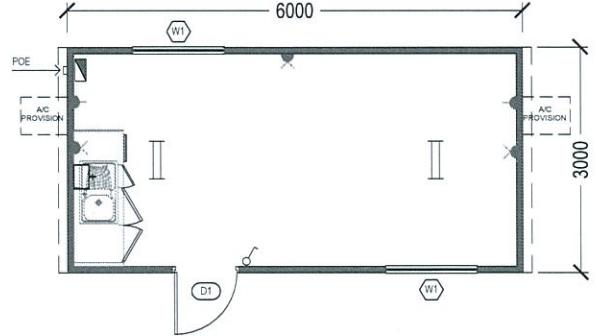
**MS-BT-LR-6024-01**  
**LUNCHROOM 6.0m x 2.4m**



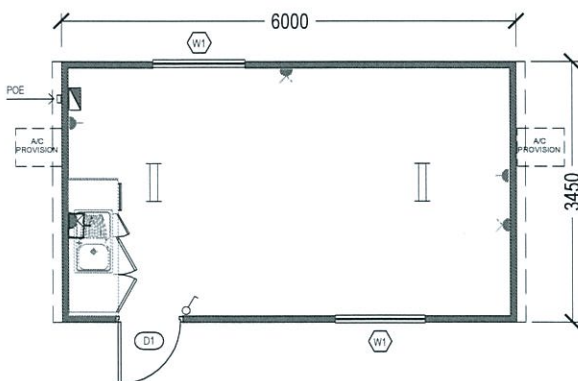
**MS-BT-LR-6030-01**  
**LUNCHROOM 6.0m x 3.0m**



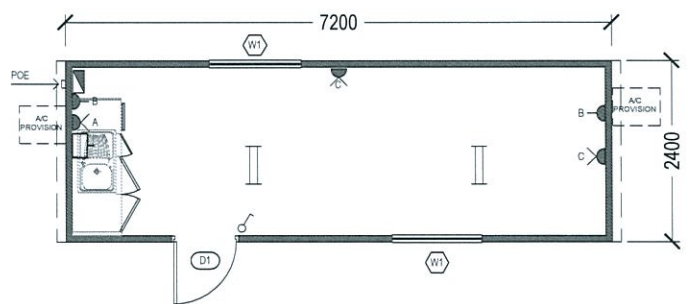
**MS-BT-LR-6030-02**  
**LUNCHROOM 6.0m x 3.0m**



**MS-BT-LR-60345-01**  
**LUNCHROOM 6.0m x 3.45m**



**MS-BT-LR-7224-02**  
**LUNCHROOM 7.2m x 2.4m**



**These Modular Building Systems' designs are part of an extensive range of standard building designs available from Modular Building Systems for sale or hire**

Modular Building Systems can meet any stage of your projects requirements with a service and support program that includes:

- Building design, layout, furniture and equipment
- All building application facilities such as: accommodation, classrooms, offices and amenities.
- Manufacture and transport.
- Site preparation, installation, relocation and services.